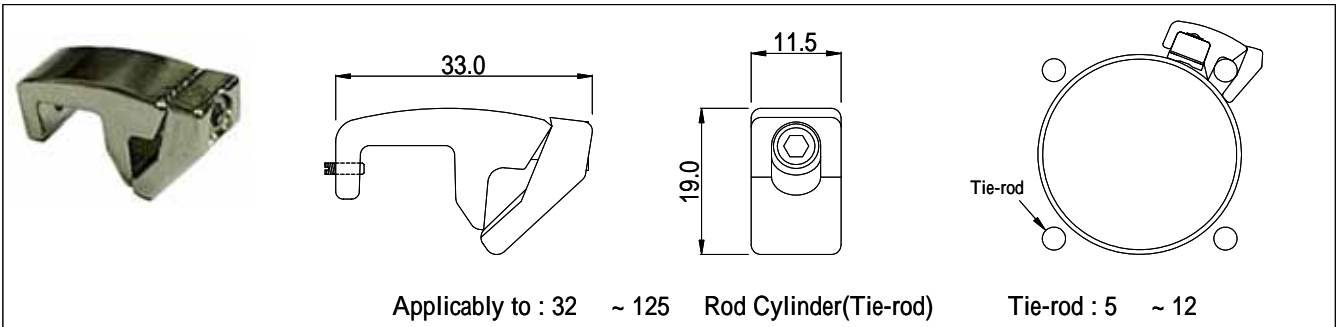


# Mounting and Accessories

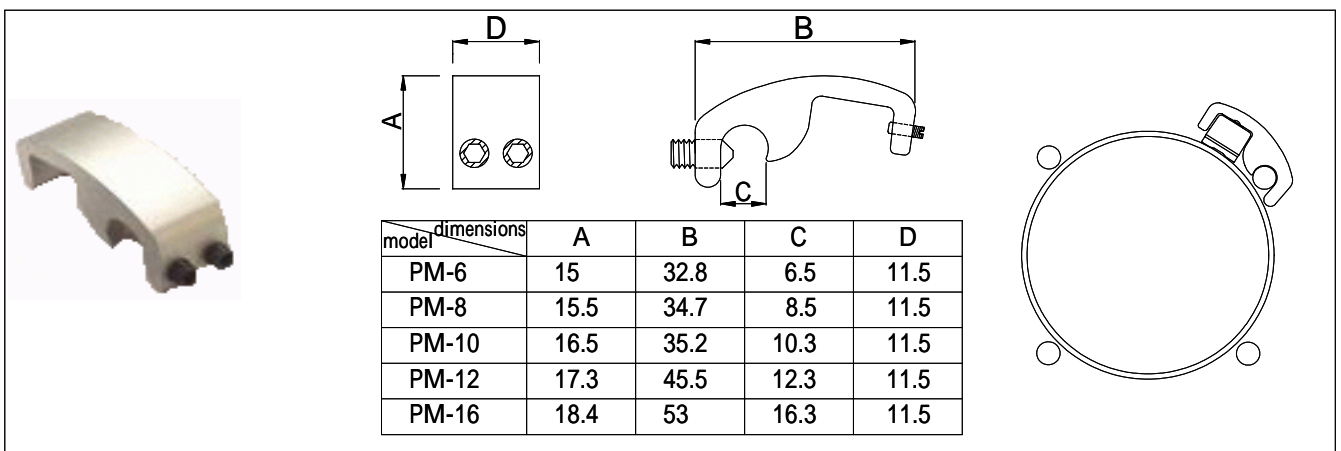
## \* PAC Bracket

Is designed for mounting MS-20 & MS-21 series sensors on tie-rod cylinder.



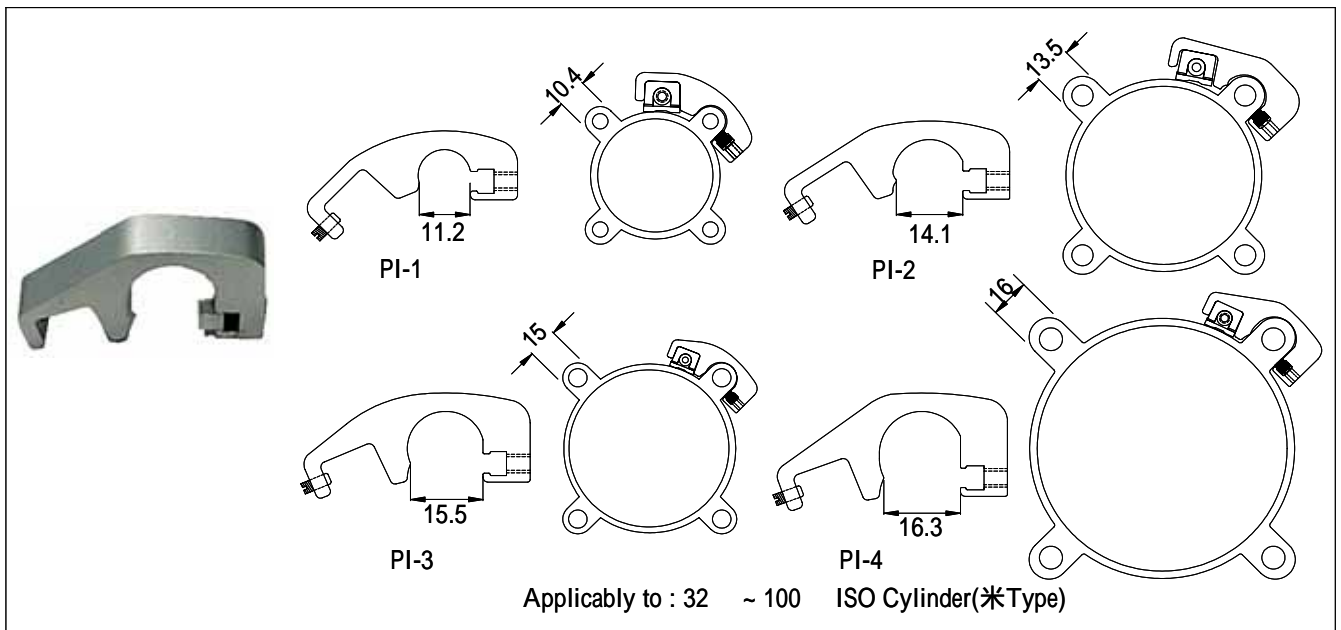
## \* PM Bracket

Is designed for mounting MS-20 & MS-21 series sensors on tie-rod cylinder.



## \* PI Bracket

Is designed for mounting MS-20 & MS-21 series sensors on ISO cylinder.



## \* PC Bracket

Is designed for mounting MS-03 & MS-15 series sensors on ORIGA cylinder.

