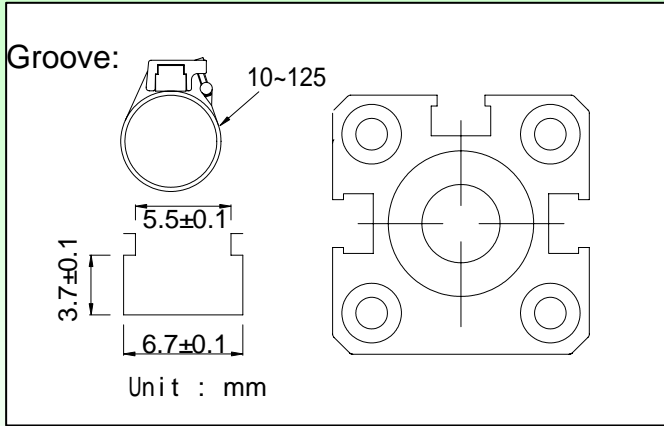
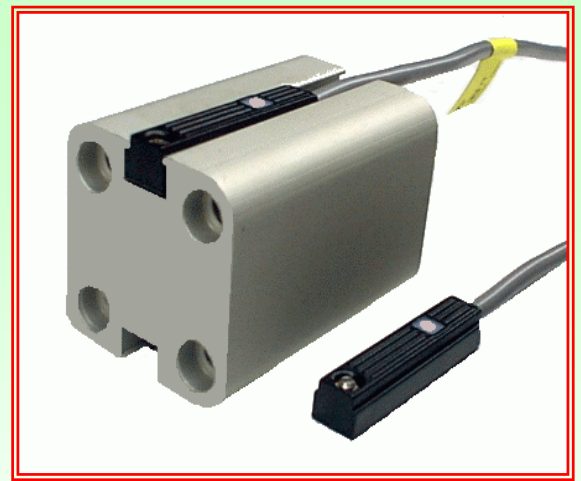


# SD-33 Series:



## Specification

Type	SD - 33R	SD - 33N	SD - 33P
Characteristics			
Wiring	2Wire	3 Wire	
Connect Diagram			
Switching logic	Normally open	Solid state output, Normally open	
Output	Reed switch	NPN Sinking	PNP Sourcing
Lead wire type	Horizontal		
Load voltage	5 ~ 240V DC/AC	5~28V DC	
Load current	100mA Max.	200mA Max.	
Switching rating	10W Max.	6W Max.	
Current consumption	---	19mA Max. @ 24V	16mA Max. @ 24V
Voltage drop	2.5V Max. @ 100mA DC	1.5V Max. @ 200mA (Resistive load)	
Leakage current	---	0.01mA Max.	
Frequency	200Hz	1000Hz	
Shock	30G	50G	
Vibration	90 m/s <sup>2</sup> (9G), Double amplitude 1.5 mm		
Insulation resistant	DC 500V 100M (Lead wire to case)		
Withstand voltage	AC 1000V (50/60Hz) 1 minute (Lead wire to case)		
CE & Protection IP	EN60947-5-2 IEC529 IP67(NEMA 6)		
Indicator	Red LED	Red LED	Green LED
Cable	2.8 ,2C, Gray PVC	2.8 ,3C, Black PVC	
Temperature range	-10 ~ 70		
Protection circuit	---	Reverse polarity; Surge suppression, Short circuit	
Dimensions			

